



Gable Surrounds

Columns, Capitals & Bases

Surrounds

Handrails, Bases & Balustrade

Pier Caps & Coping

Sills & Water Table

Keystones

Quoins

Address Stones

Decoratives

Brackets

Mail Box Assemblies

Fireplaces

Fireplace Over Mantles

Hearths

We bring the elegance of cast stone to life



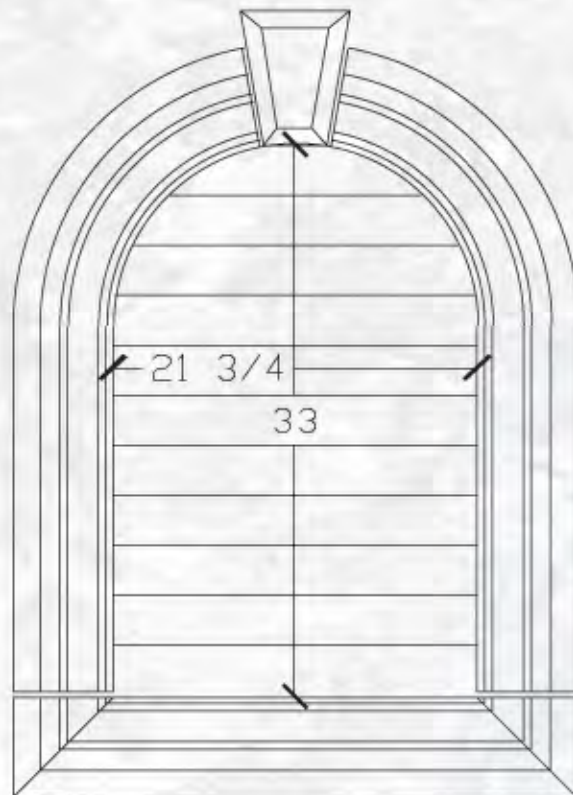
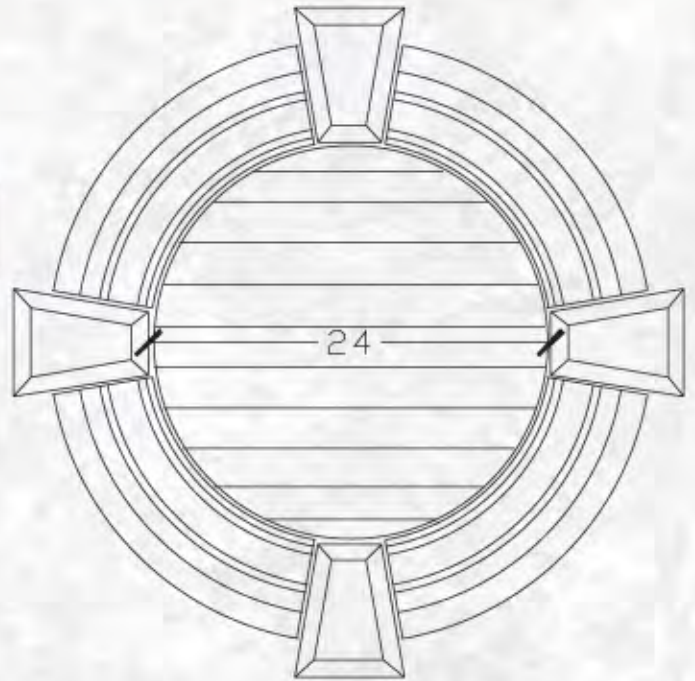
Contents



-  *Gable Surrounds*
-  *Columns, Capitals & Bases*
-  *Surrounds*
-  *Handrails, Bases & Balustrade*
-  *Pier Caps & Coping*
-  *Sills & Water Table*
-  *Keystones*
-  *Quoins*
-  *Address Stones*
-  *Decoratives*
- Brackets*
- Mail Box Assemblies*
- Fireplaces*
- Fireplace Over Mantles*
- Hearths*
- Working Template*

Gable Surrounds with Stone "Mock-Vent"

Circular



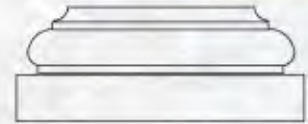
Round Top

Columns Capitals and Bases

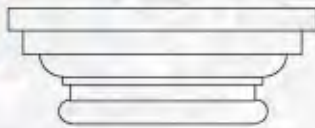
ACS-101



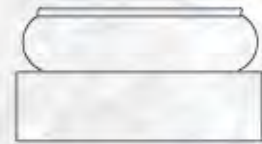
ACS-201



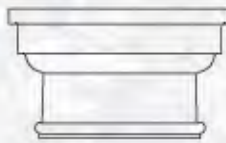
ACS-102



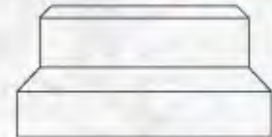
ACS-202



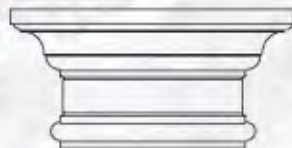
ACS-103



ACS-203



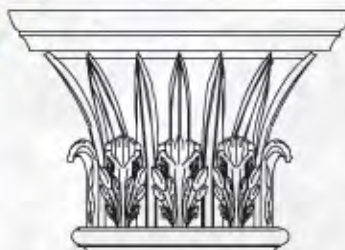
ACS-104



Roman Corinthian



Temple of the Winds

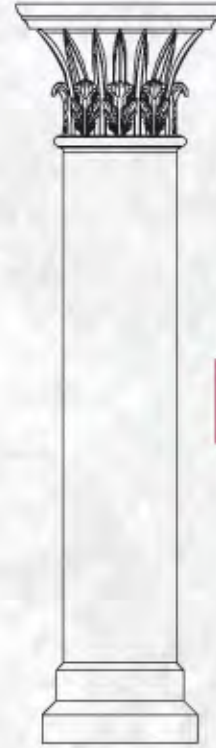


Columns

Tapered Shaft



Straight Shaft



4" Rope



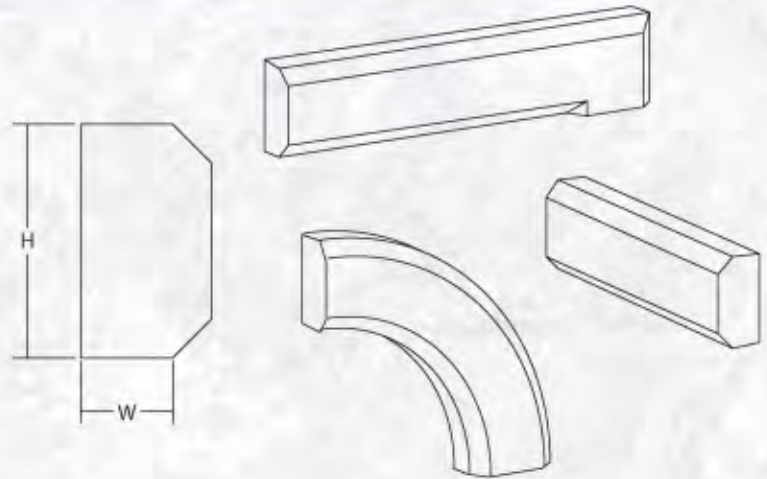
2" Rope



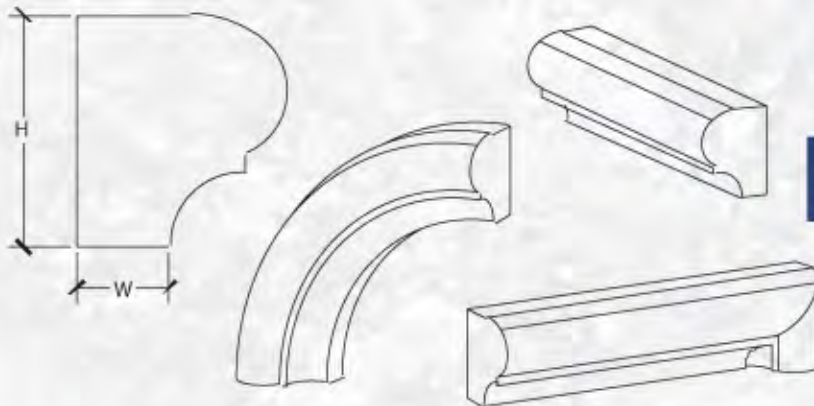
Surrounds

Height "H"	4"	6"	7 1/2"	10"	12"	16"
Width "W"	2"+					
Custom arch surrounds available						

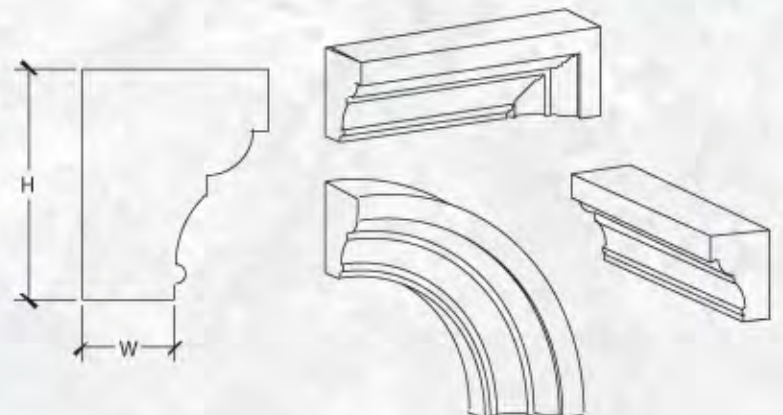
T-710



T-712



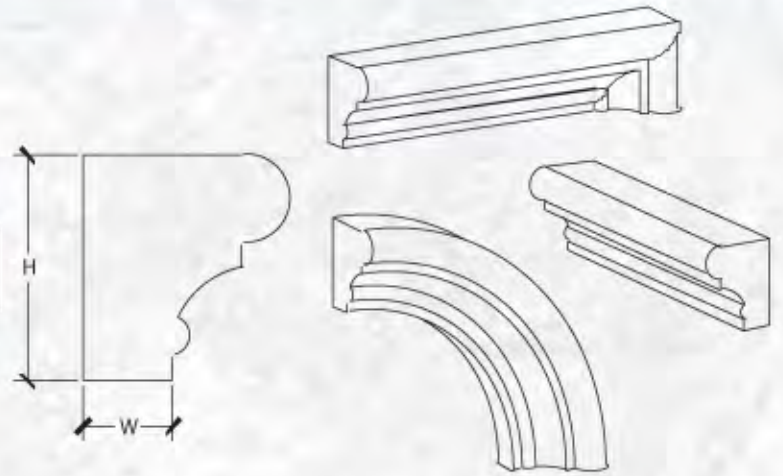
T-725



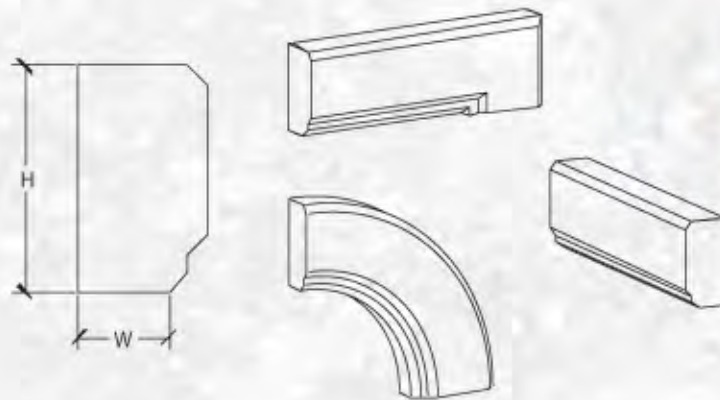
Surrounds

Height "H"	4"	6"	7 1/2"	10"	12"	16"
Width "W"	2"+					
Custom arch surrounds available						

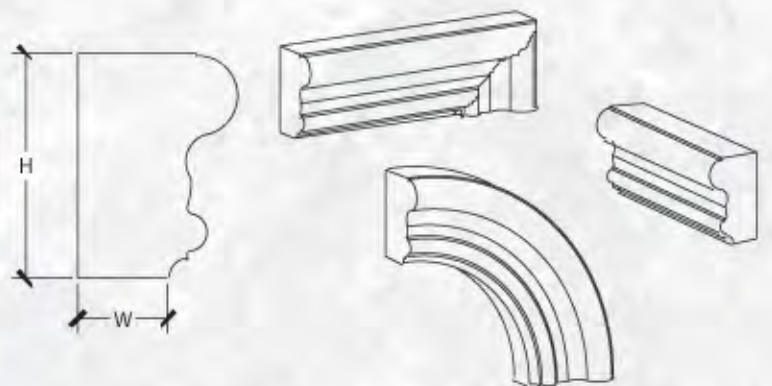
T-735



T-740



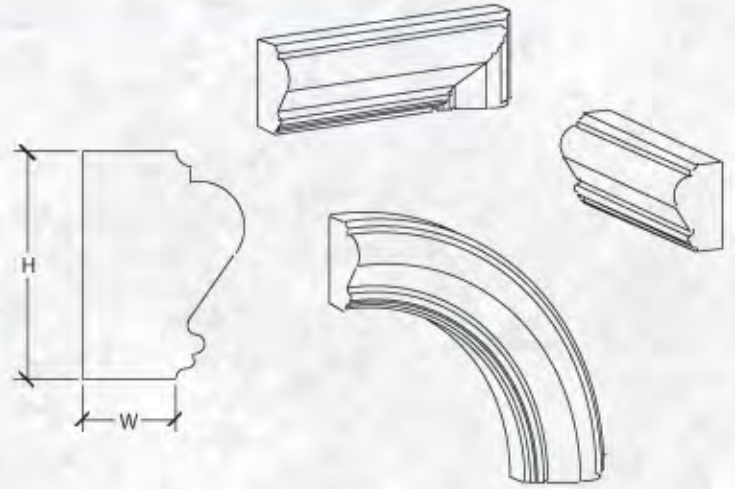
T-745



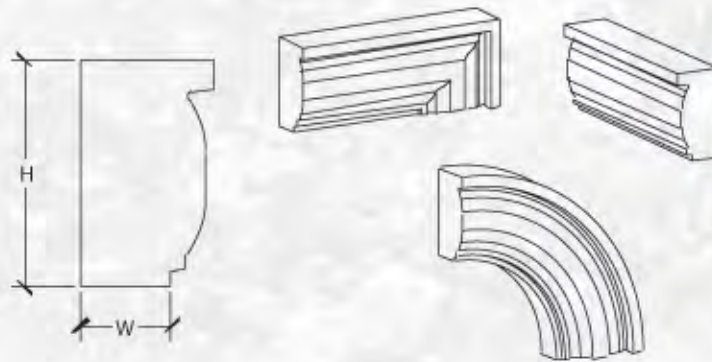
Surrounds

Height "H"	4"	6"	7 1/2"	10"	12"	16"
Width "W"	2"+					
Custom arch surrounds available						

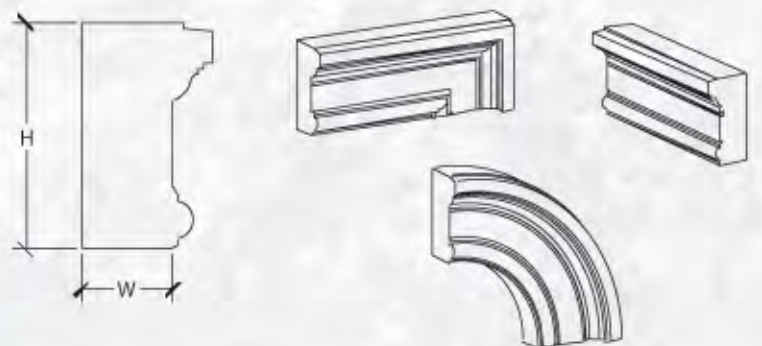
T-750



T-755

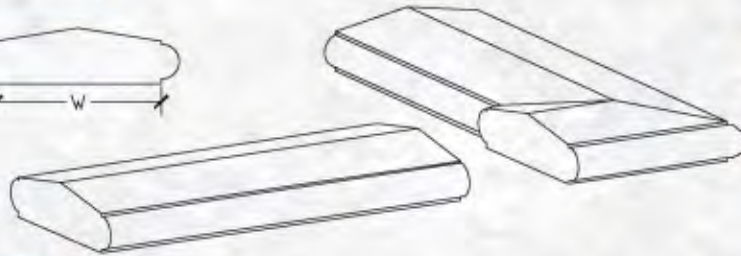
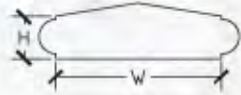
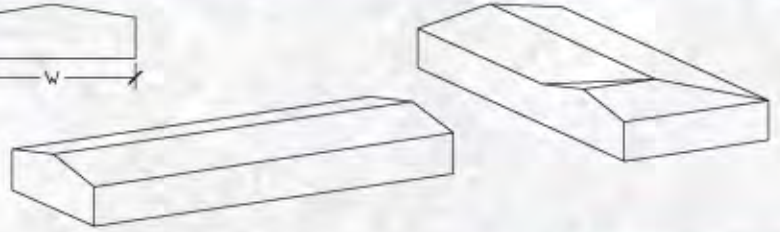
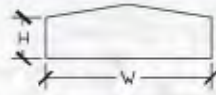


T-760



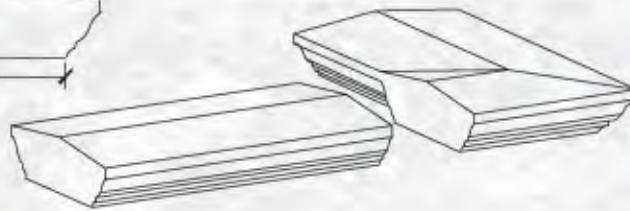
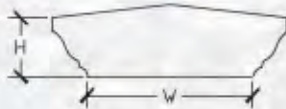
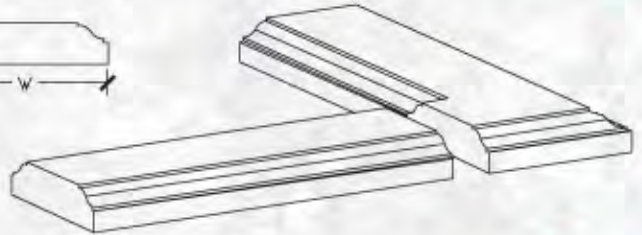
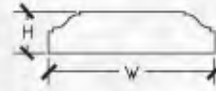
Handrails and Bases

ACH-1



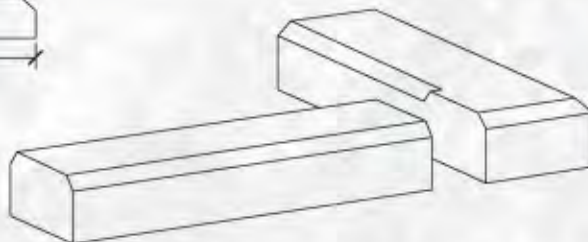
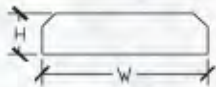
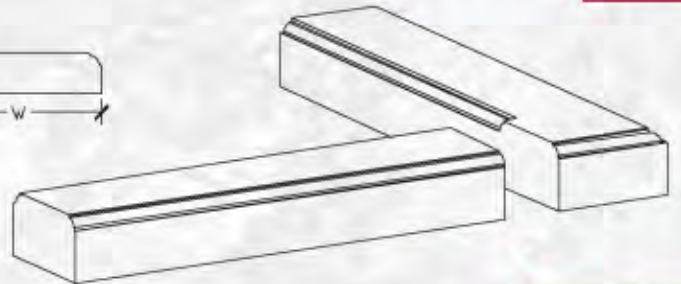
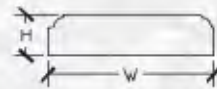
ACH-2

ACH-3



ACH-4

ACR-1



ACR-2



Balustrade

ACC-1



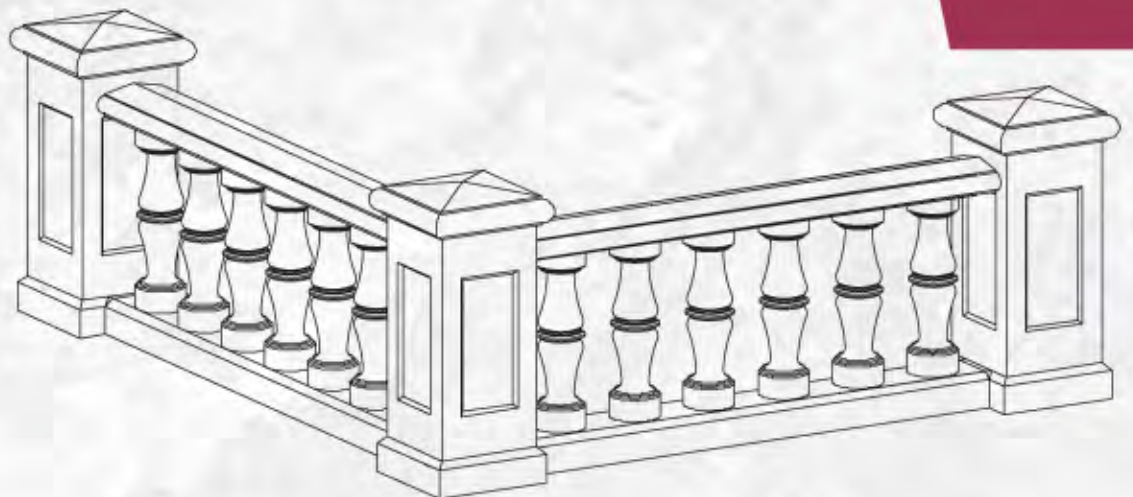
ACC-3



ACC-2



ACC-4

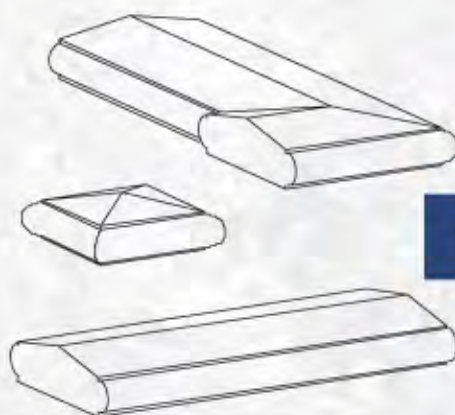
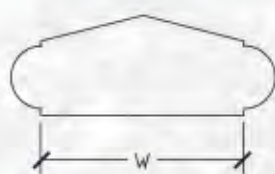
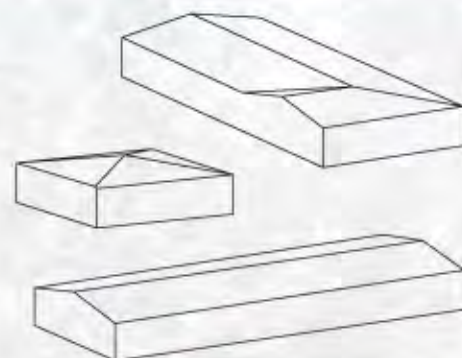
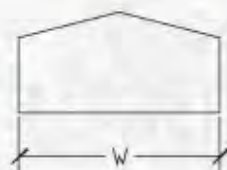


Pier Caps & Coping

Width "W"	8"	10"	12"	14"	16"	18"	20"	22"
	24"	26"	28"	30"	32"	34"	36"	

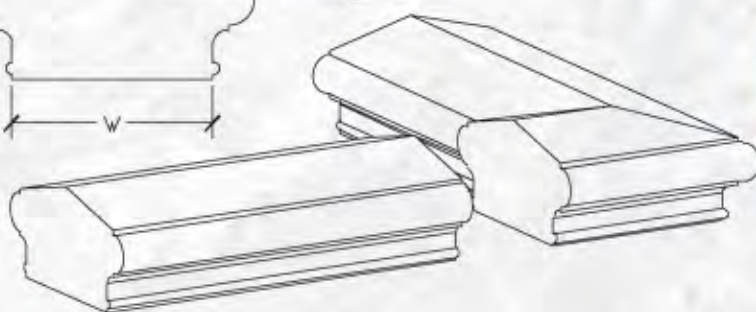
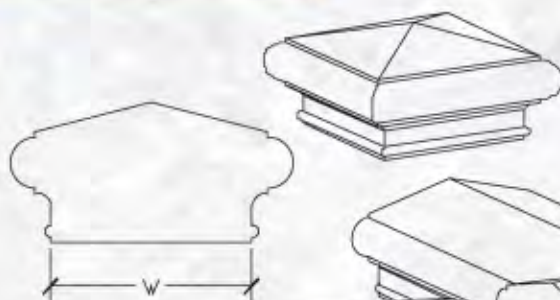
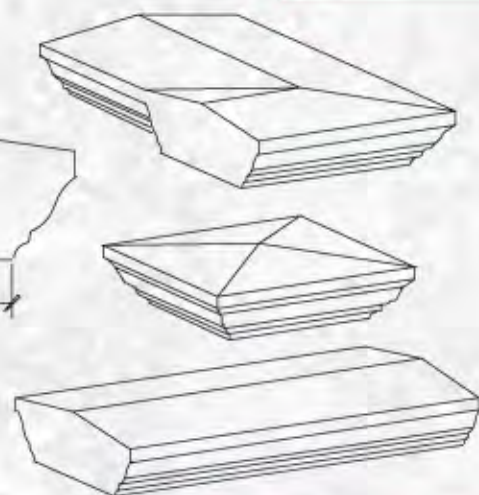
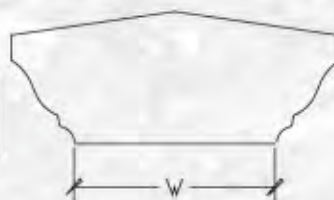
Custom sizes & radius available

STY-100



STY-200

STY-300

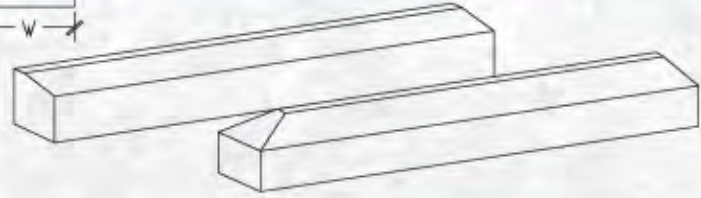


STY-400

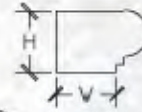
Sills & Water Table

Height "H"	3"	4"	6"
Width "W"	2"+		

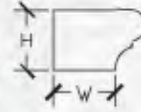
S-600



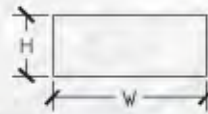
S-625



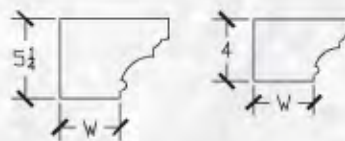
S-650



S-675



S-700

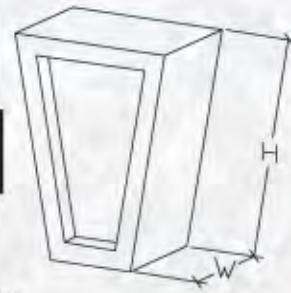




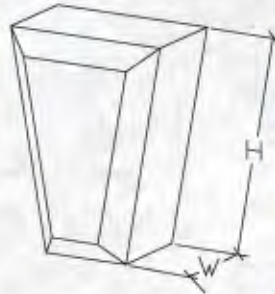
Keystones

Height "H"	6"	8"	10"	12"	14"	16"	18"	36"
Width "W"	4"+							

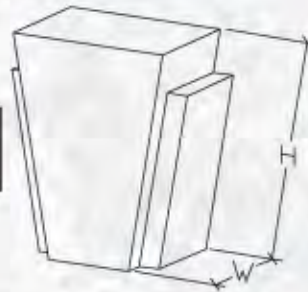
Recessed



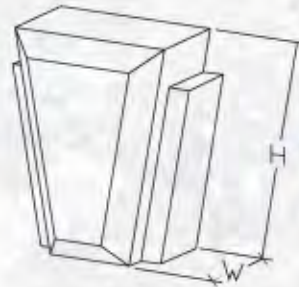
Chamfered



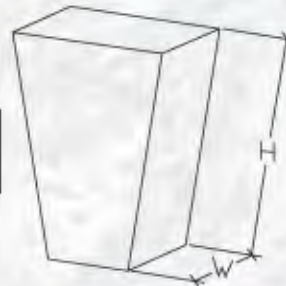
Flat Batwing



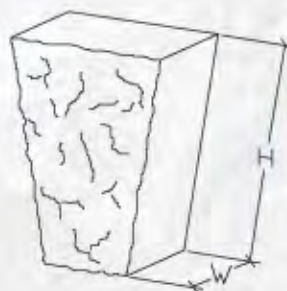
Chamfered Batwing



Flat



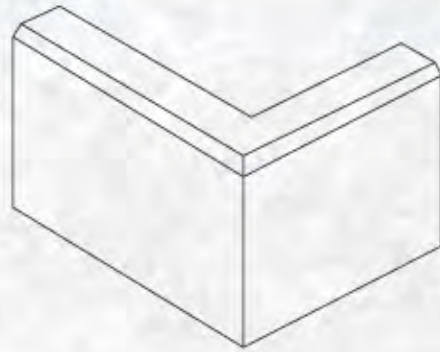
Rock Face



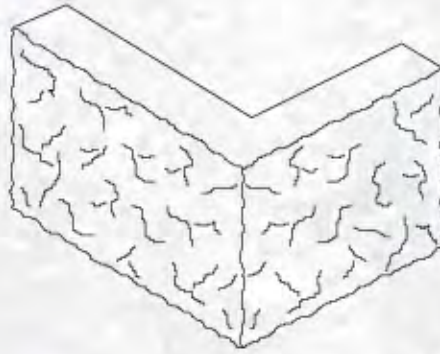
Quoins

Available in many sizes

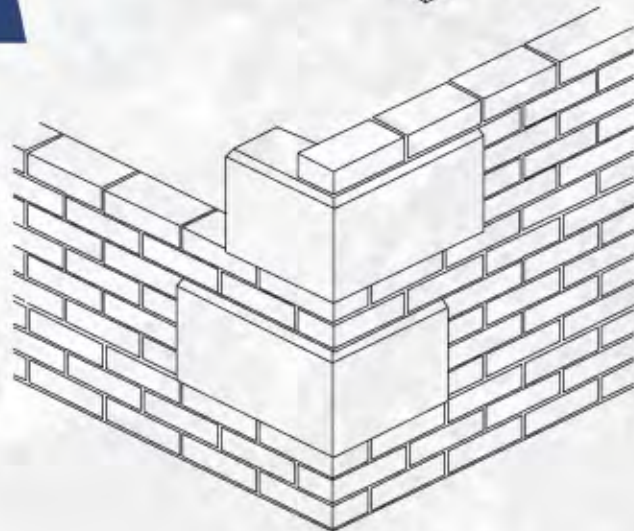
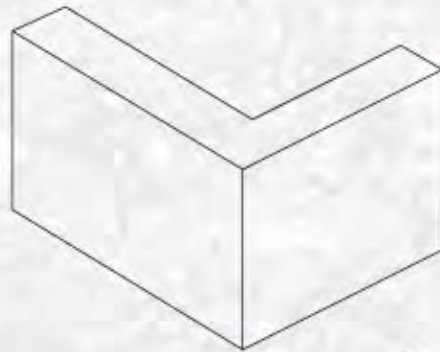
Chamfered



Rock Face



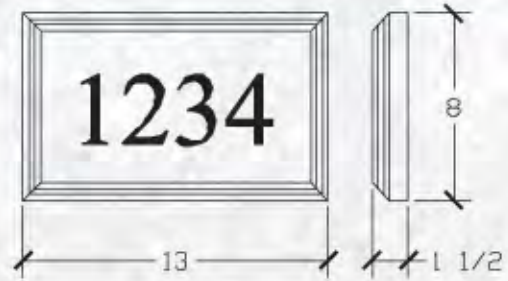
Flat



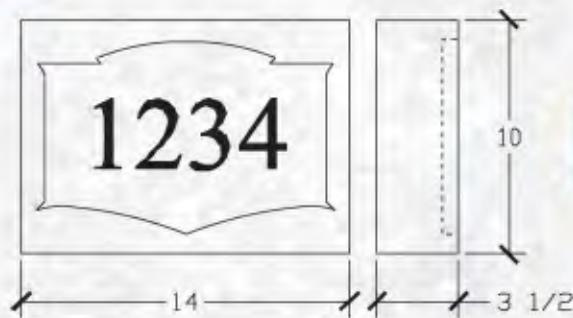
Address Stones

Height "H"	8"	9"	9"	9"	10 1/2"	11 1/2"
Width "W"	12"	12"	14"	15"	16"	17"
All sizes nominal						

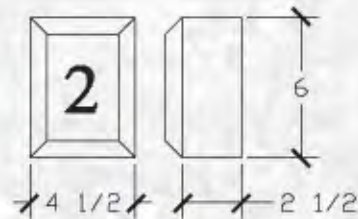
Plaque



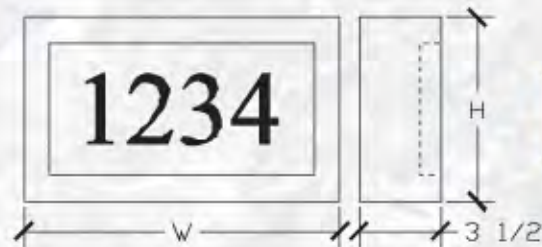
Fancy



Individual



Recessed

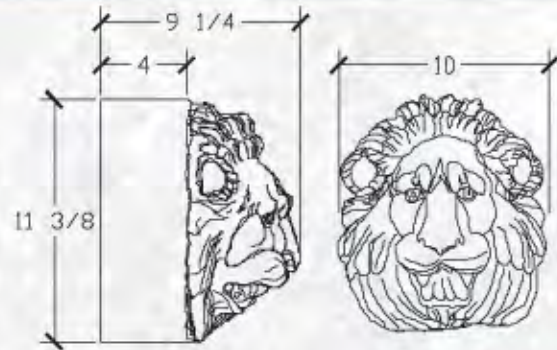


Chamfer

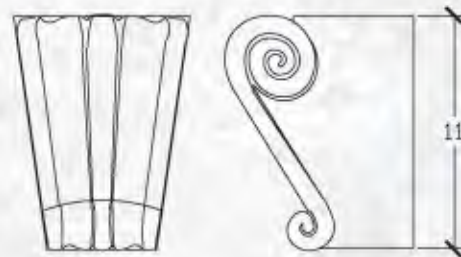


Decoratives

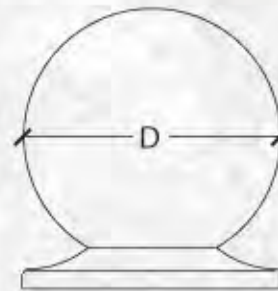
Lion Head



Corbel Keystone

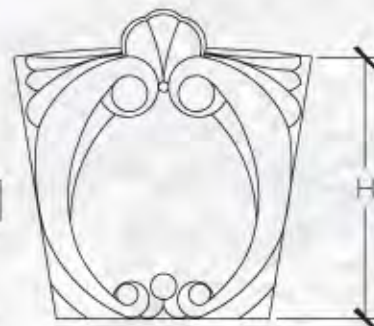


Sphere



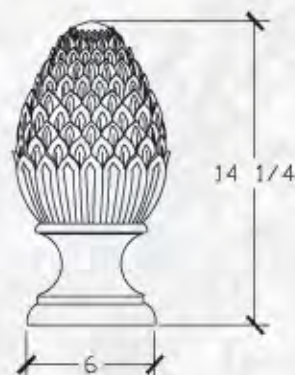
Diameter "D"	4"	6"	8"	10"
	12"	14"	16"	18"
	20"	24"		

Height "H" 10" 12" 14" 16"



Shield Keystone

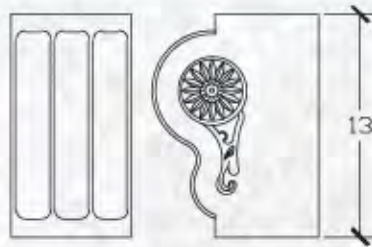
Finial



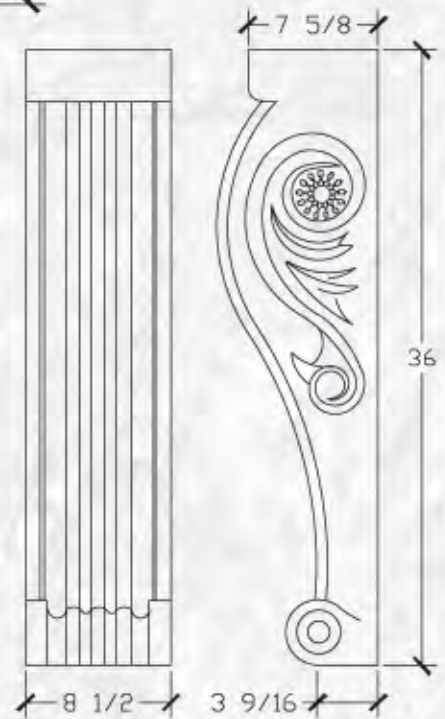


Brackets

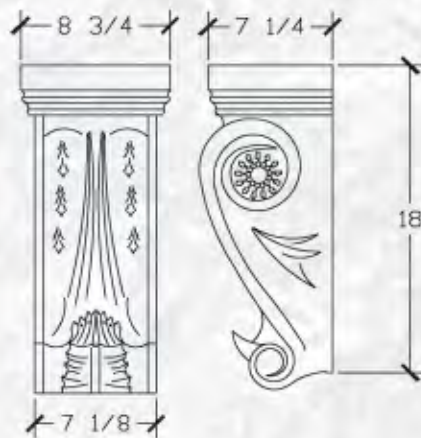
ACB-1



ACB-2



ACB-3



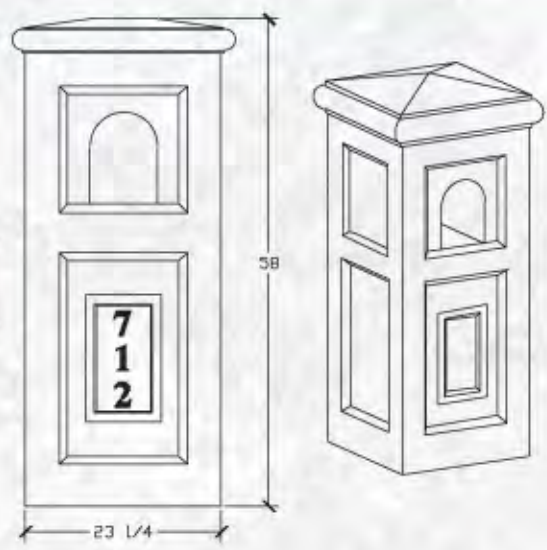
ACB-4





Mail Box Assemblies

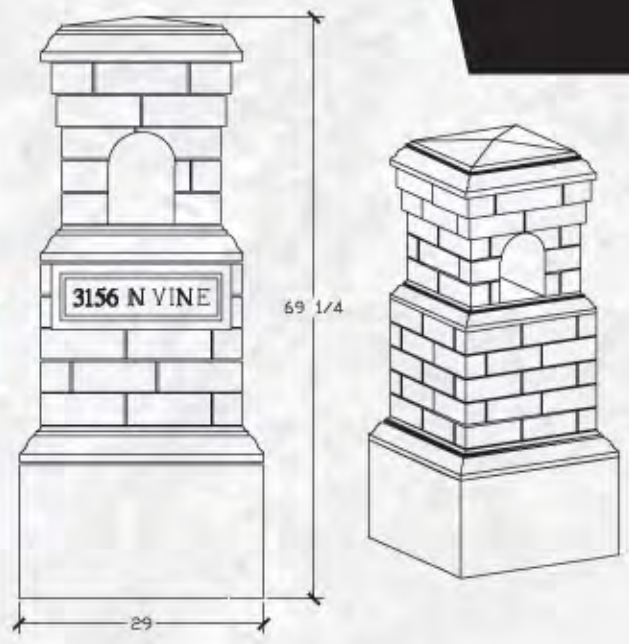
MAB-1



MAB-2

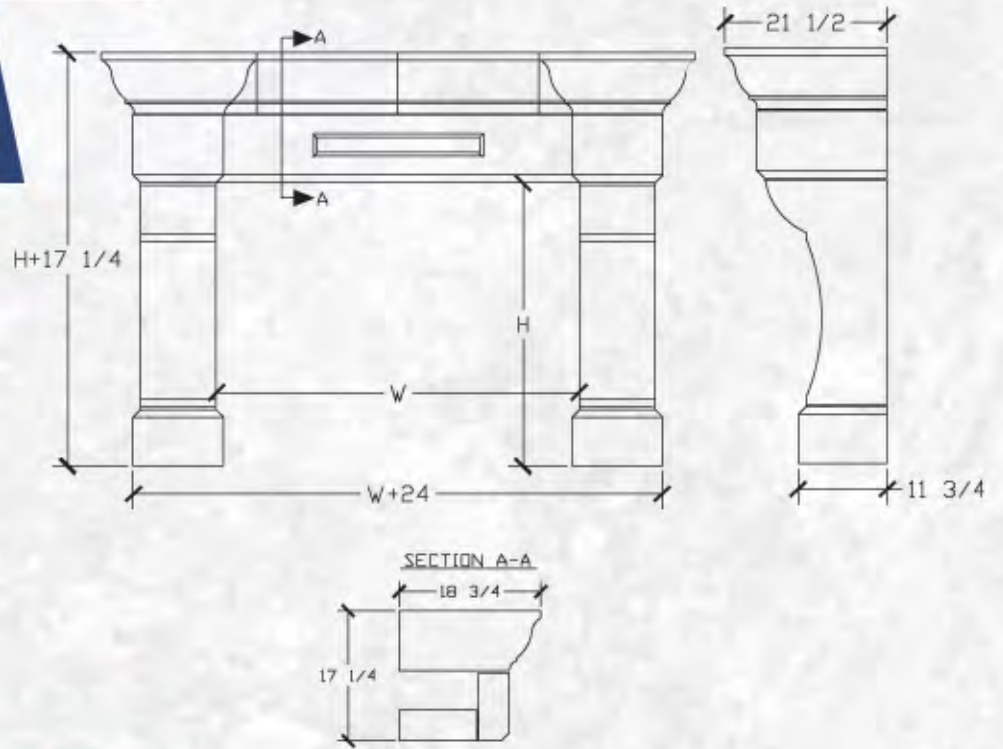


MAB-3

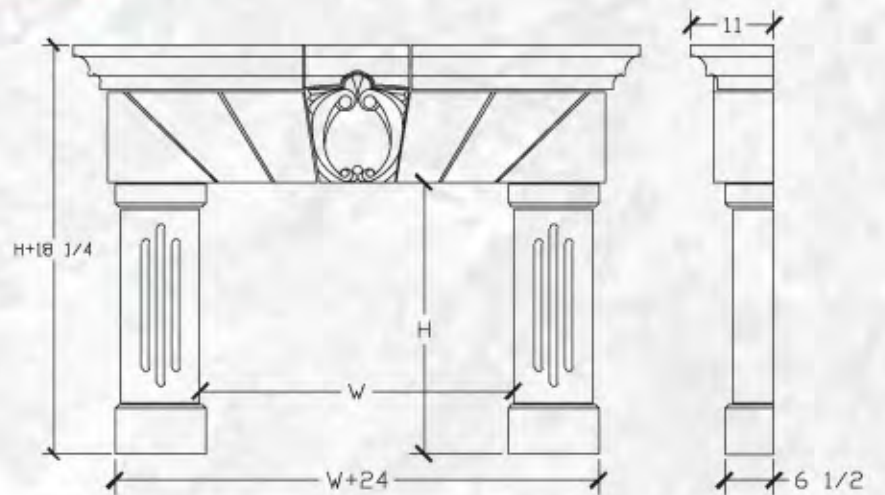


Fireplaces

ACFP-1

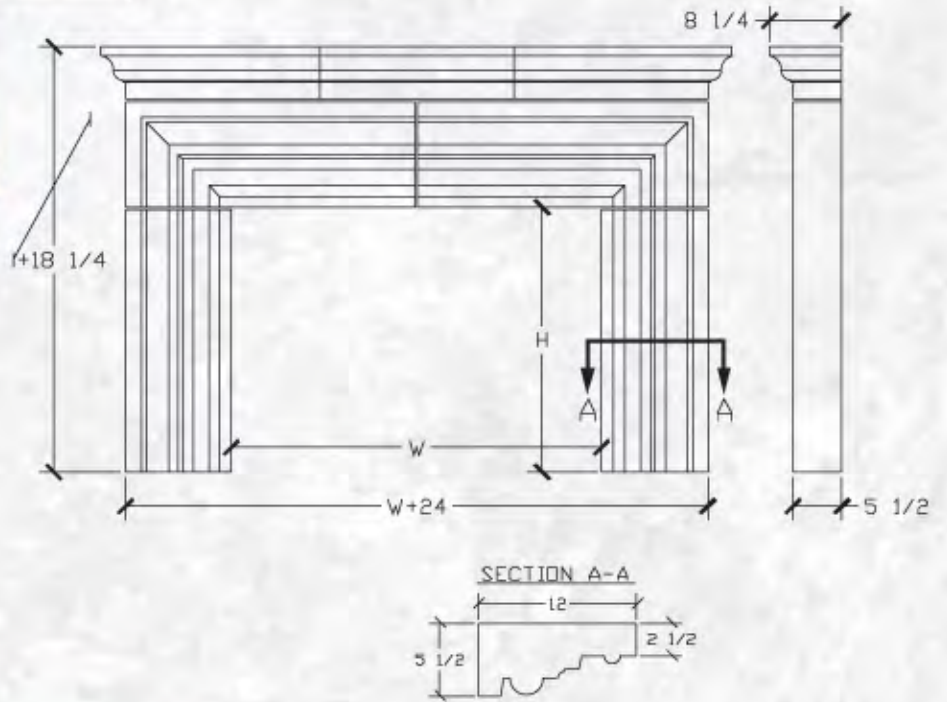


ACFP-2

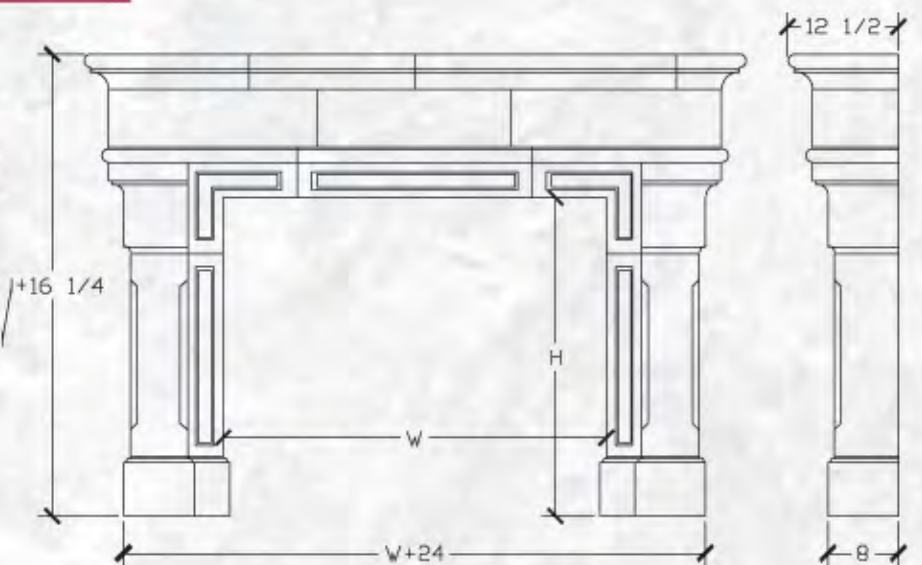


Fireplaces

ACFP-3

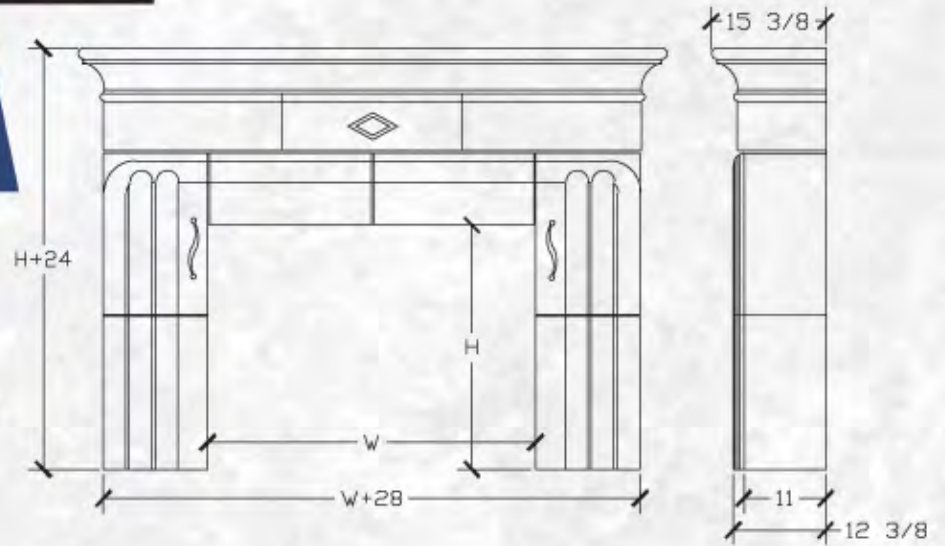


ACFP-4

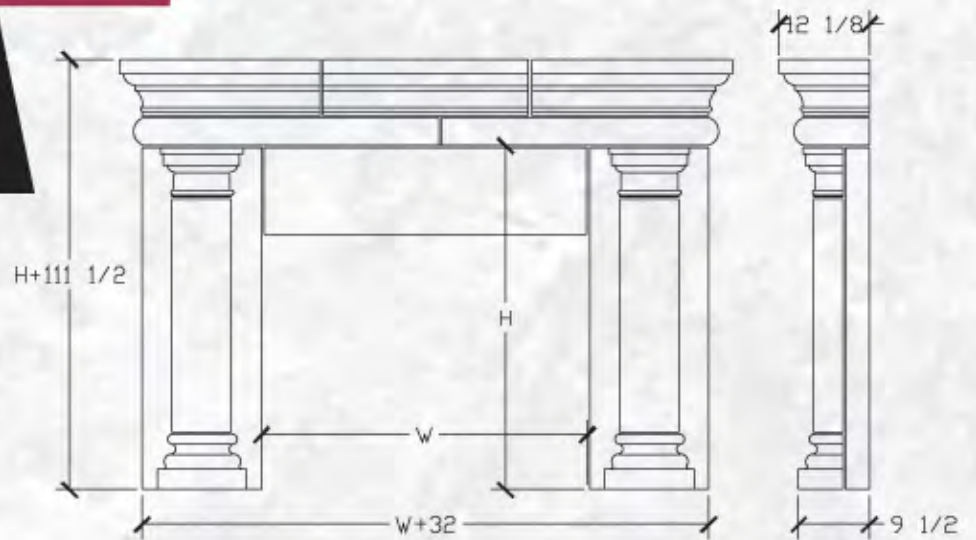


Fireplaces

ACFP-5

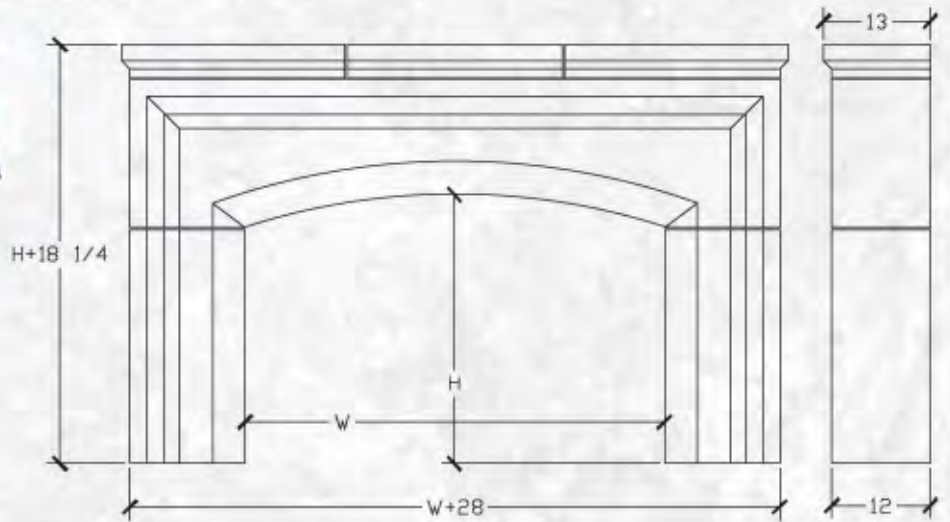


ACFP-6

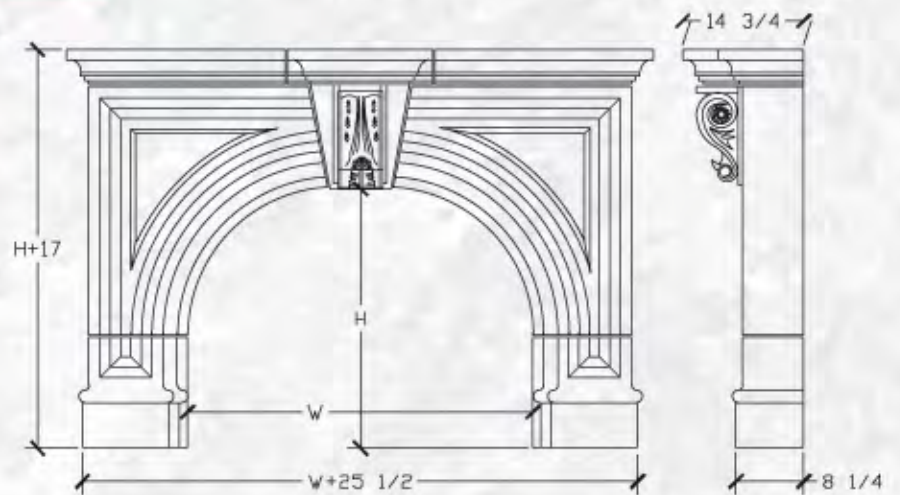


Fireplaces

ACFP-7

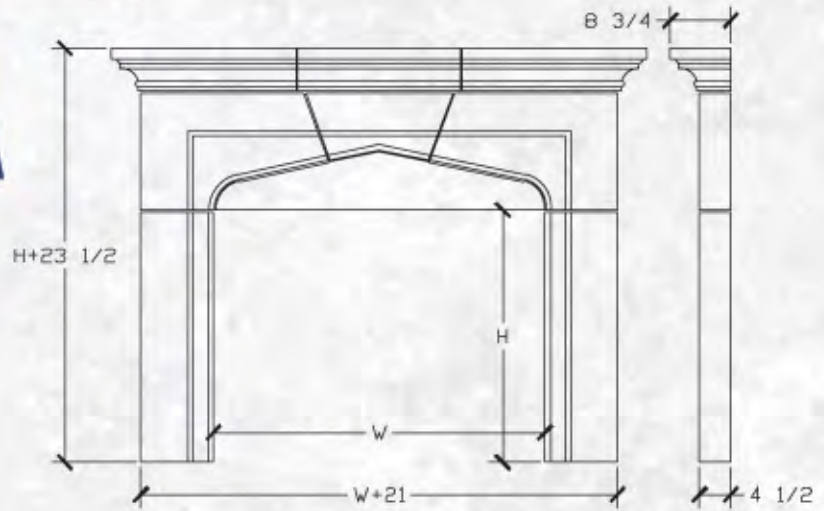


ACFP-8

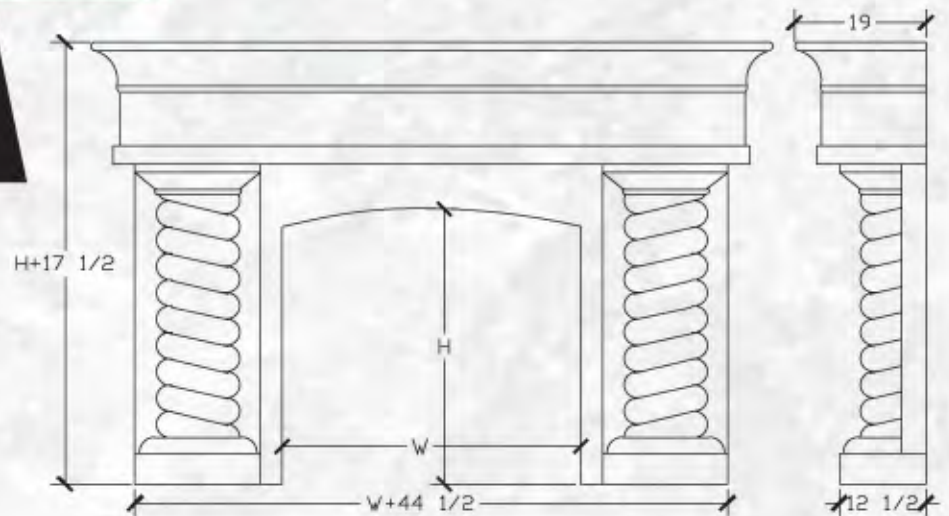


Fireplaces

ACFP-9

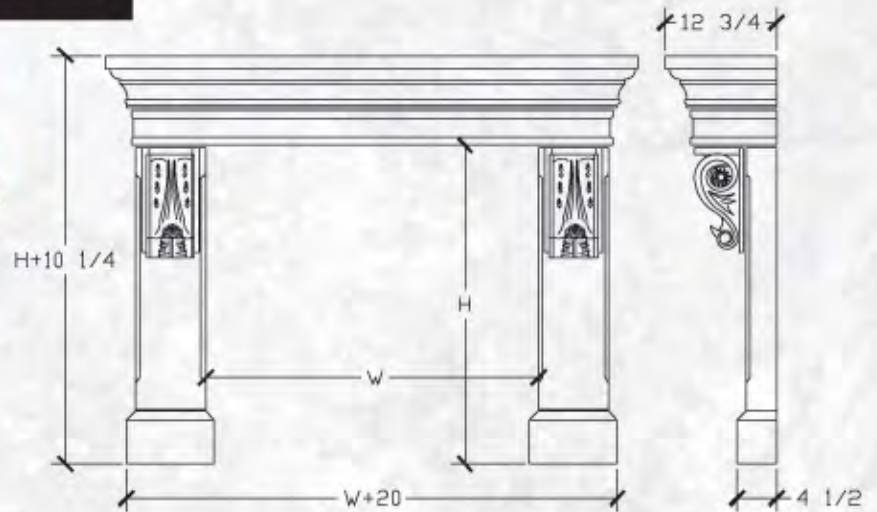


ACFP-10

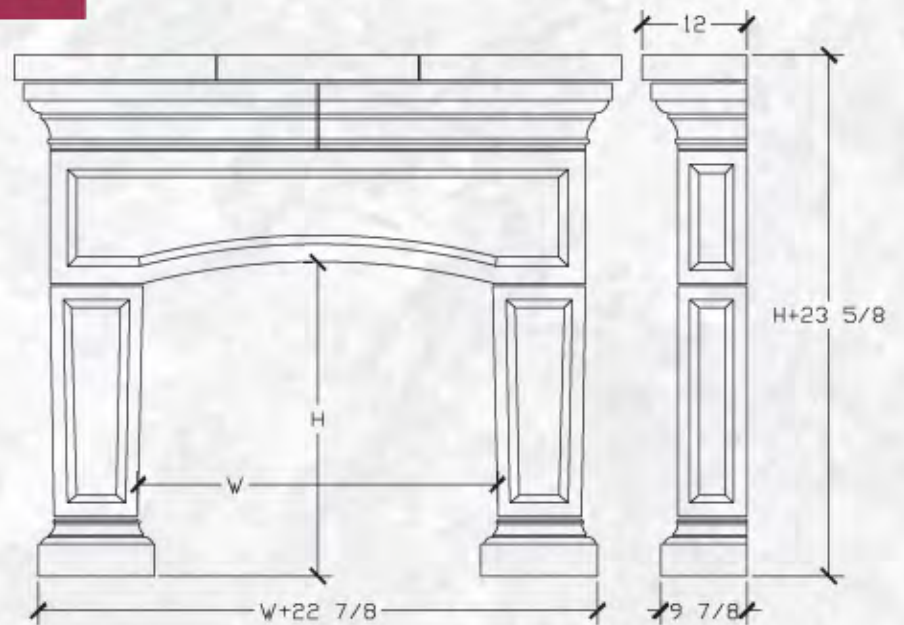


Fireplaces

ACFP-11

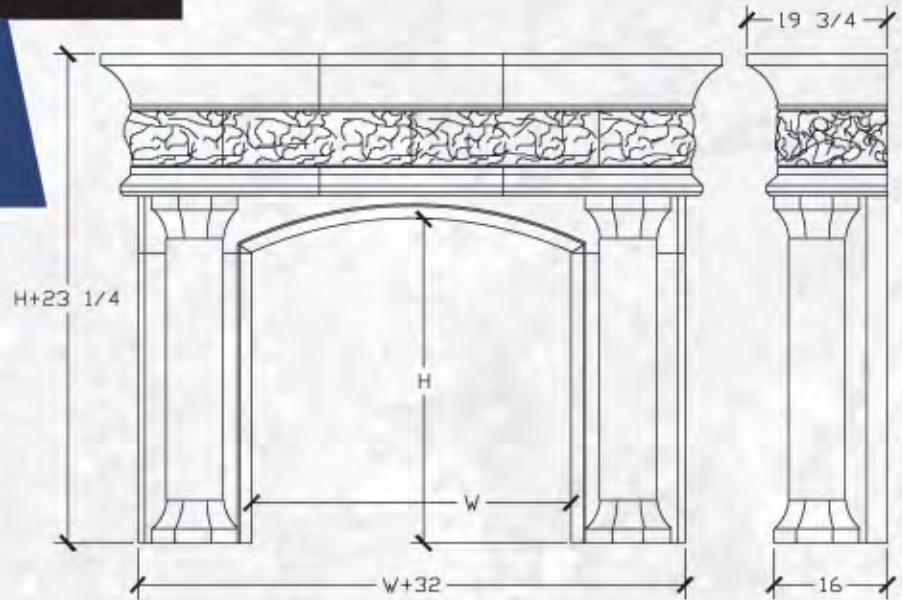


ACFP-12

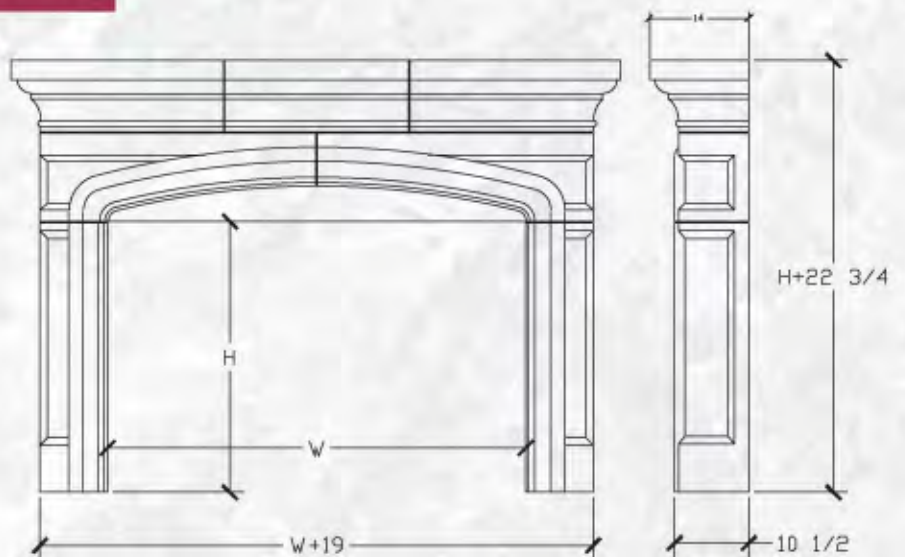


Fireplaces

ACFP-13



ACFP-14

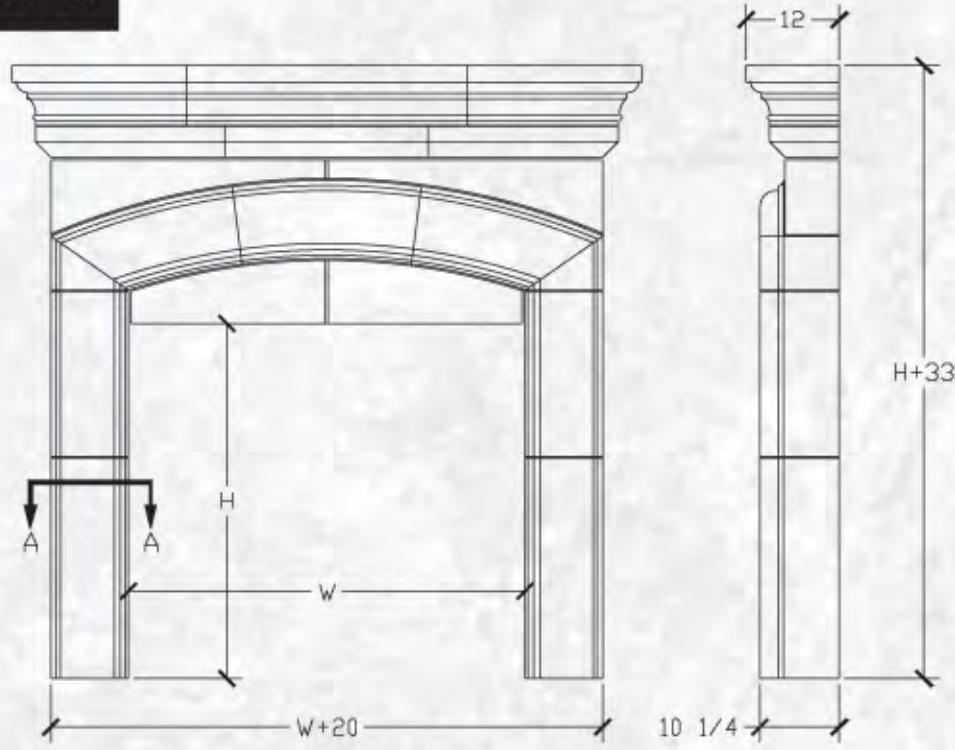
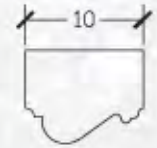




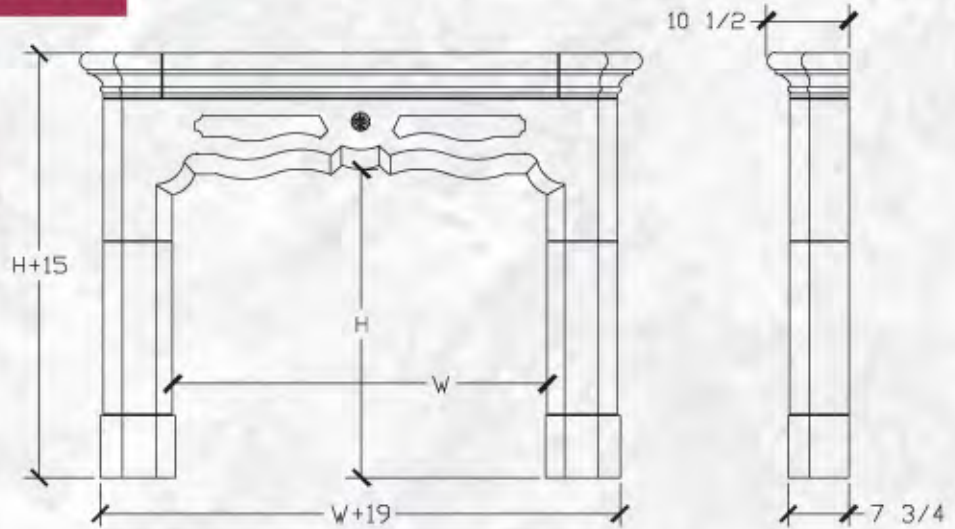
Fireplaces

ACFP-15

SECTION A-A



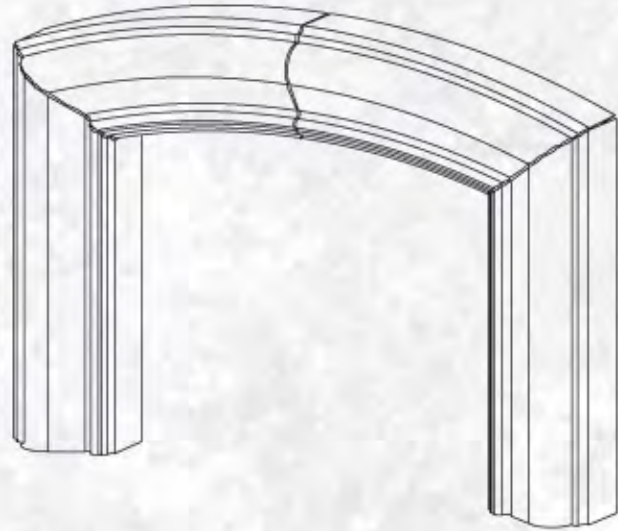
ACFP-16



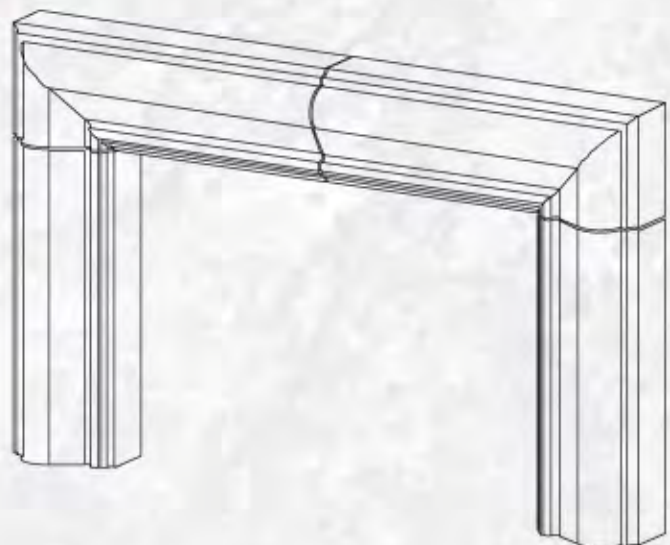
Fireplaces

See Surrounds for other profile options with ACFP fireplaces 19 and 20.

ACFP-19



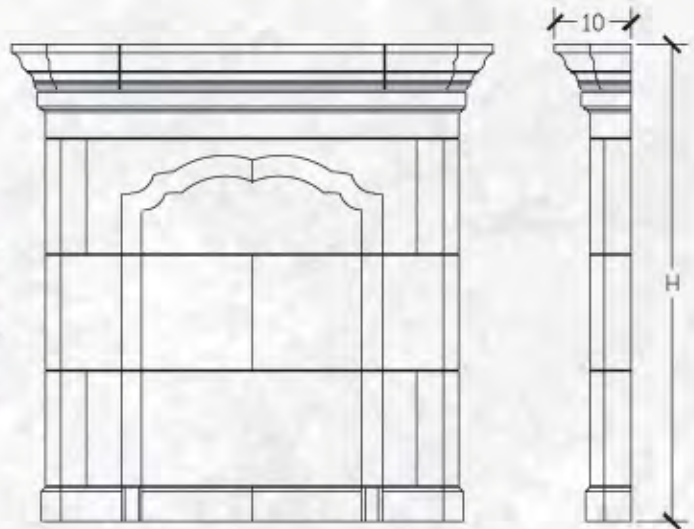
ACFP-20



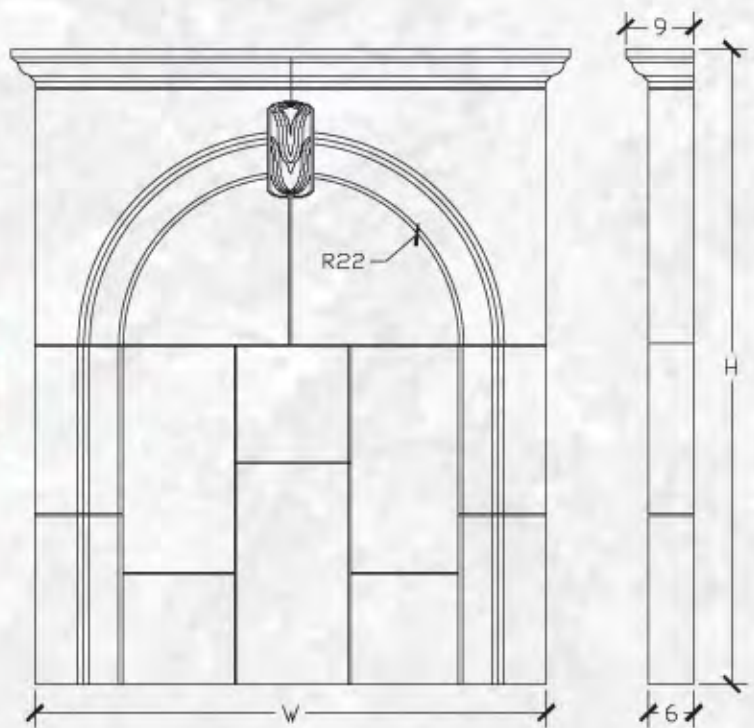


Fireplace Over Mantles

OMFP-1

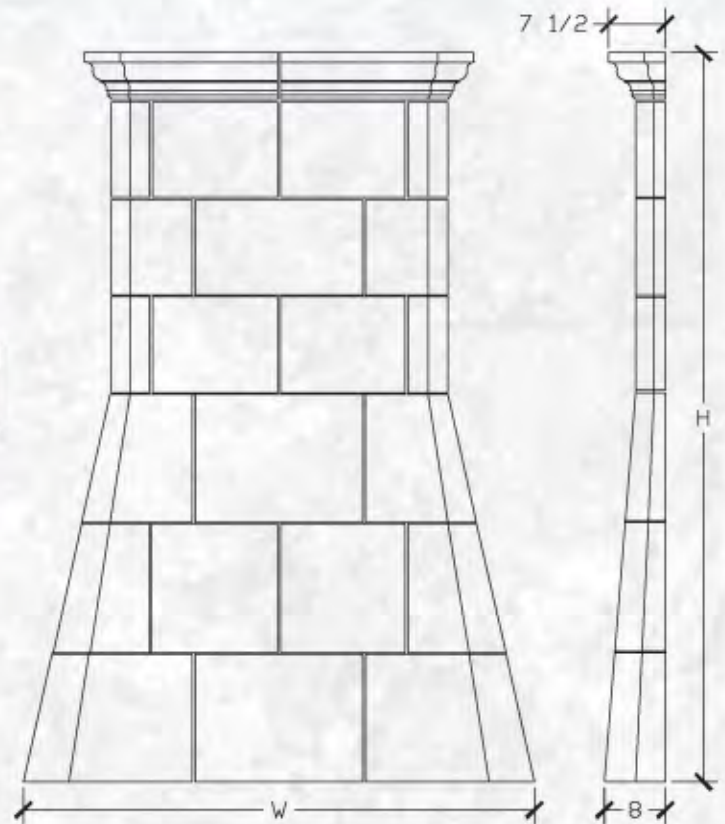


OMFP-2

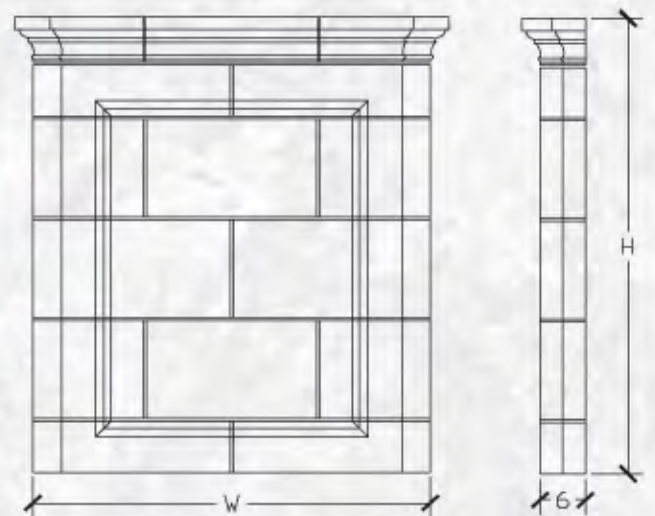


Fireplace Over Mantles

OMFP-3



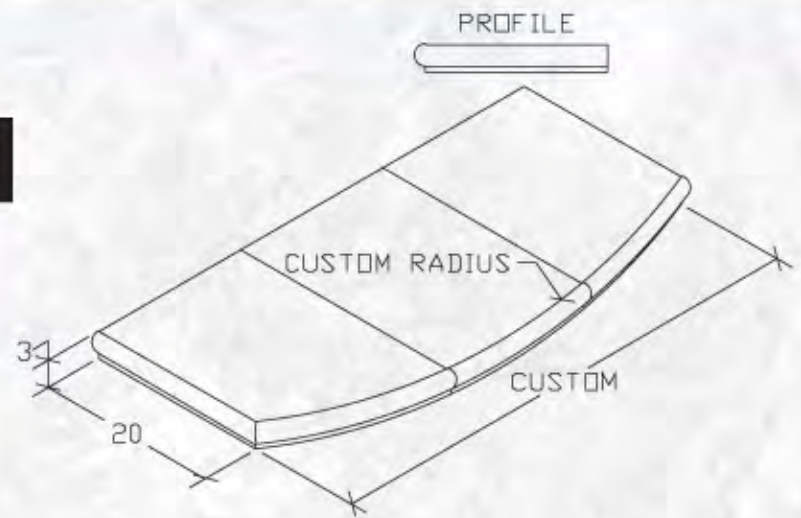
OMFP-4



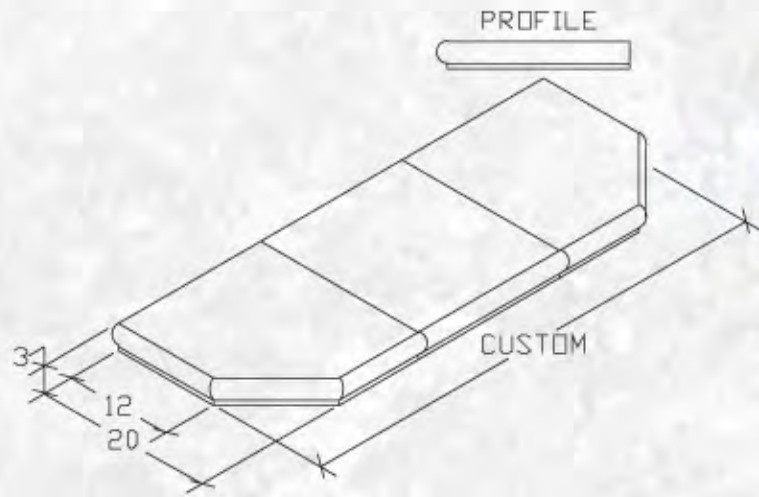


Hearths

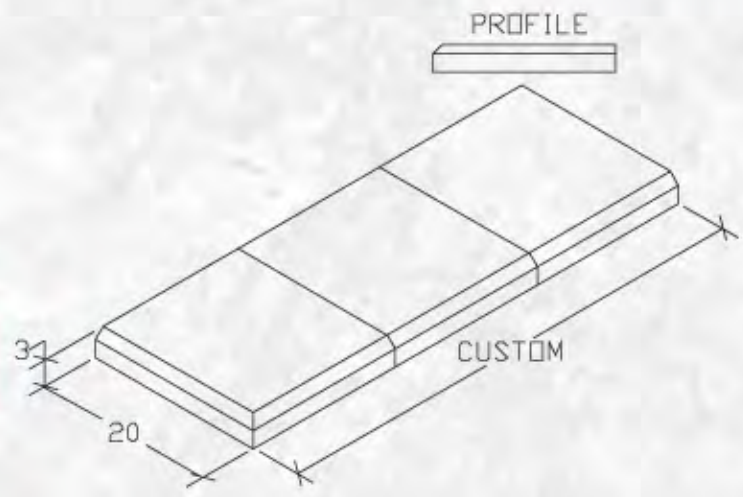
FPH-1



FPH-2



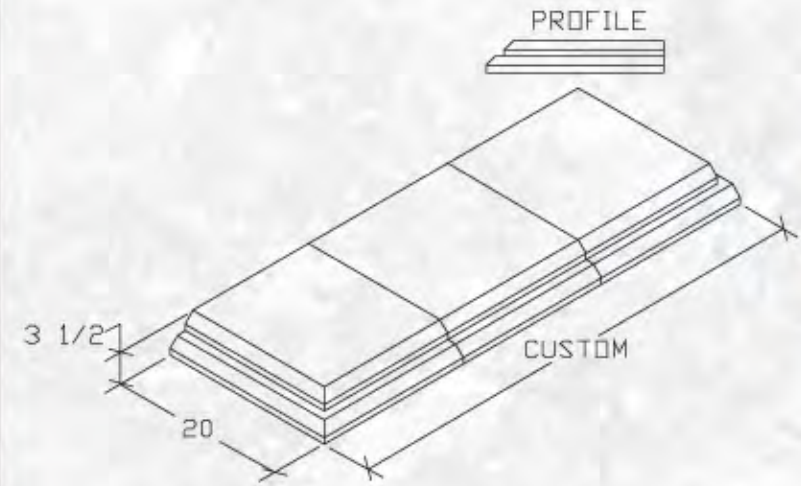
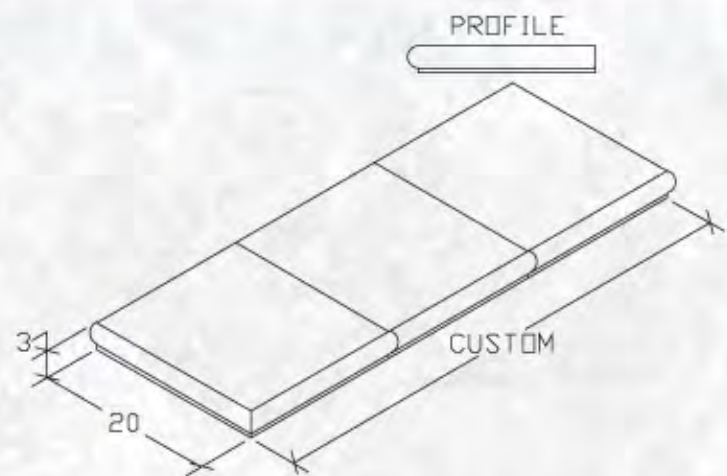
FPH-3





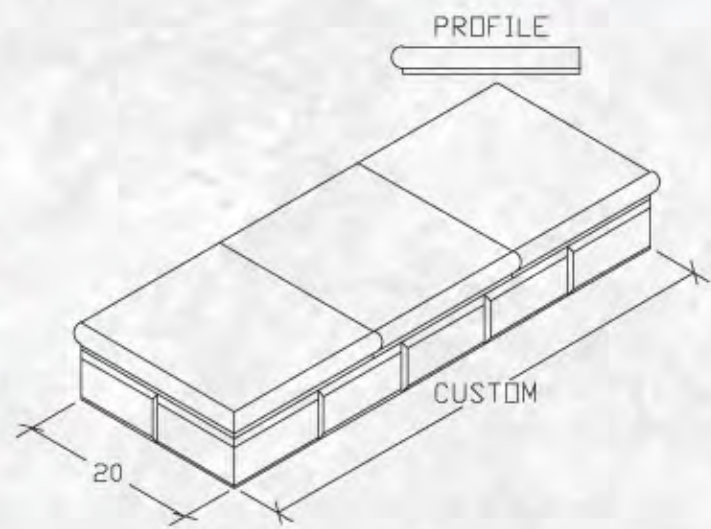
Hearths

FPH-4



FPH-5

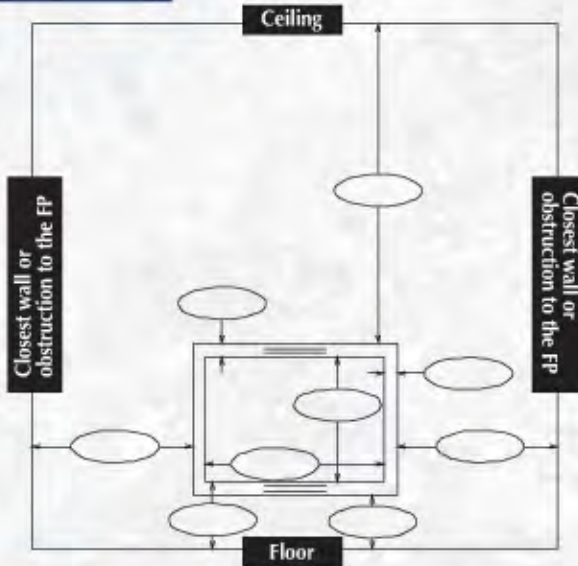
Custom Raised Hearth



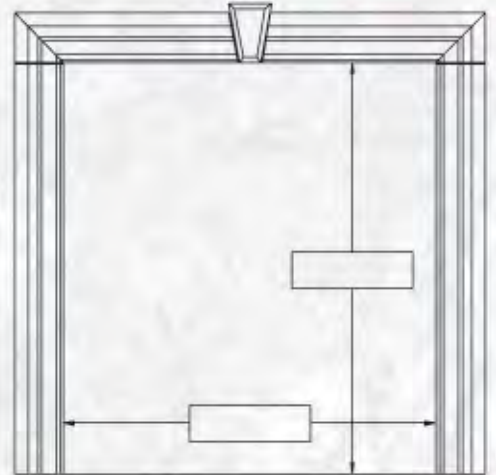
Working Template

Window, Door & Fireplace dimensions required to produce accurate shop drawings.
The dimensions need to be (+-) 1/16" tolerance.

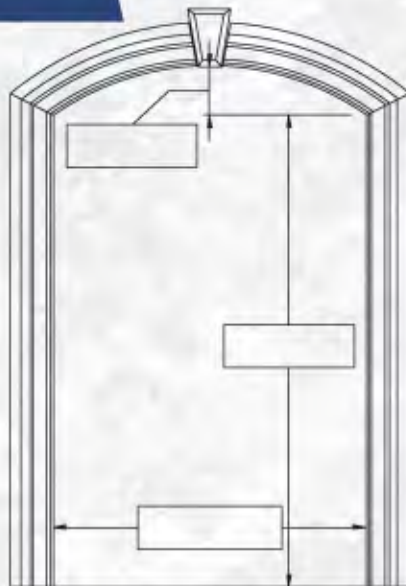
Fireplace



Square Top



Arch Top



Round Top

